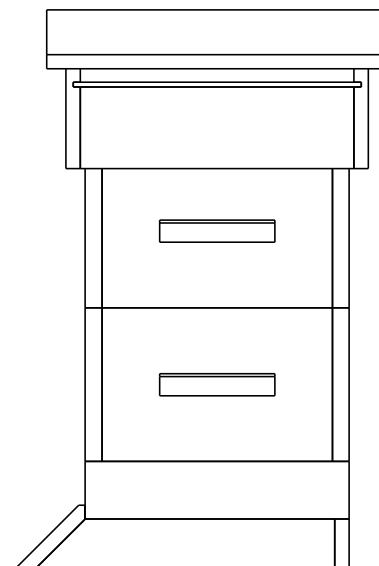
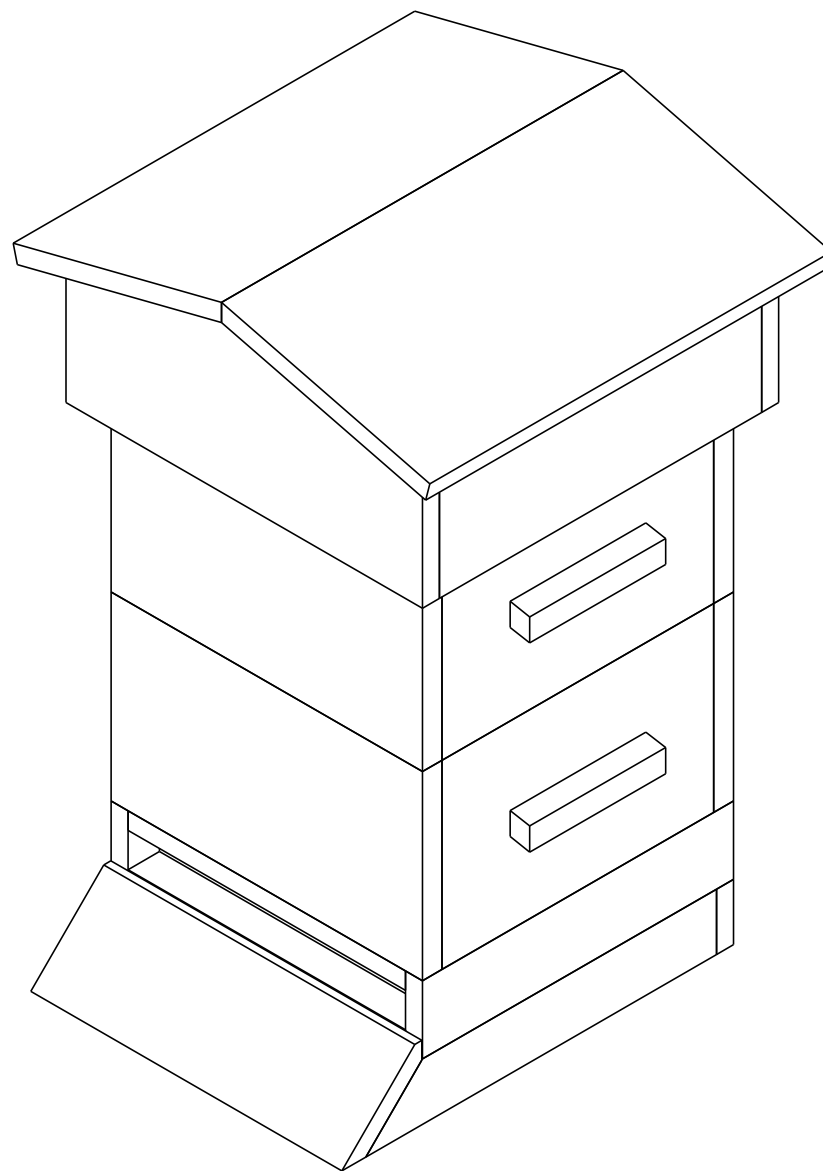
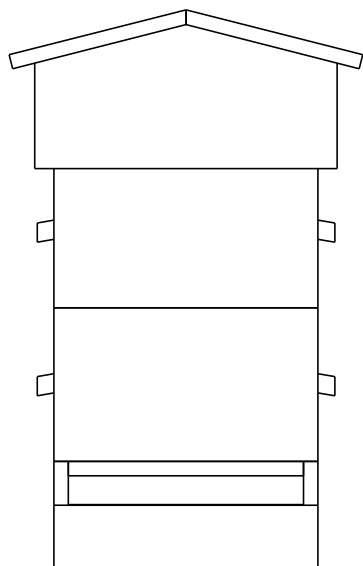


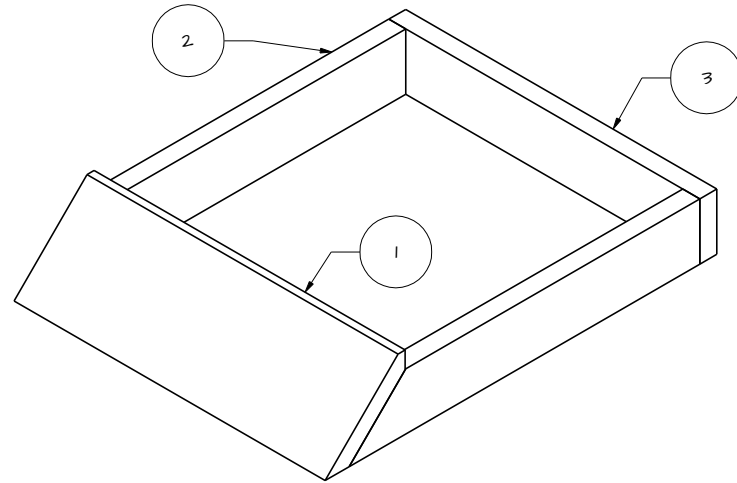
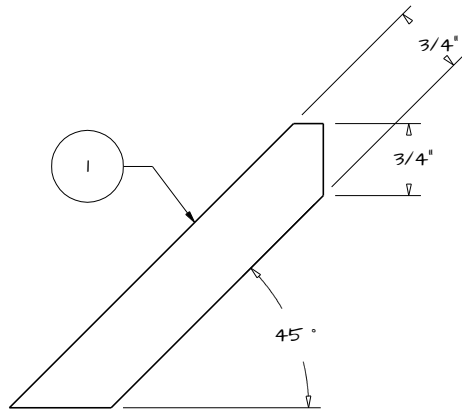
Bushkill Warre Hive

BeeVac.com



Bushkill Warre Hive

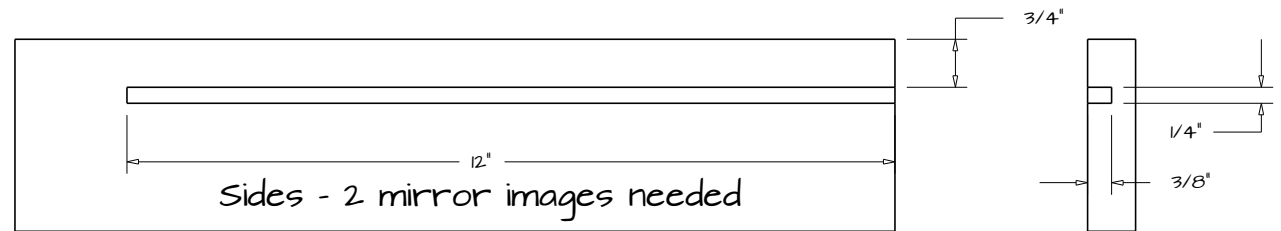
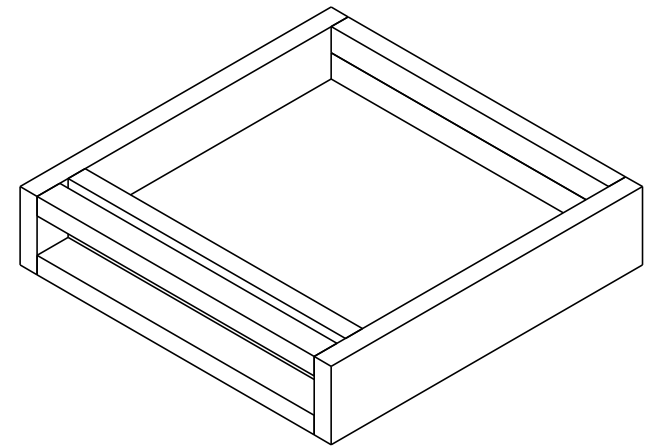
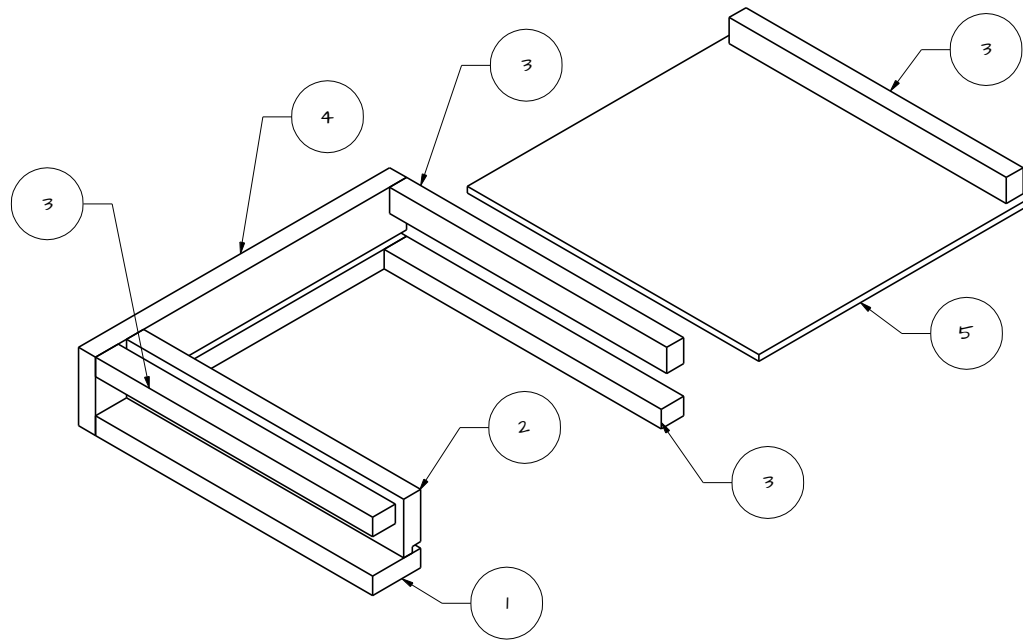
Hive Stand



Qty	Item	PartName	Dimensions
1	1	Hive Stand Front	3/4" x 4-3/4" x 13-3/4"
2	2	Hive Stand Side	3/4" x 2-1/2" x 15-1/2"
1	3	Hive Stand Back	3/4" x 2-1/2" x 13-3/4"

Bushkill Warre Hive

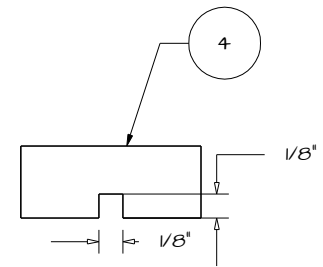
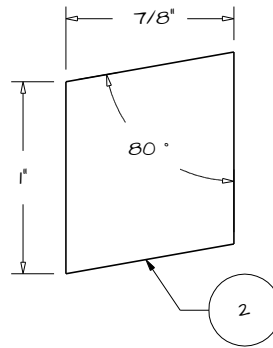
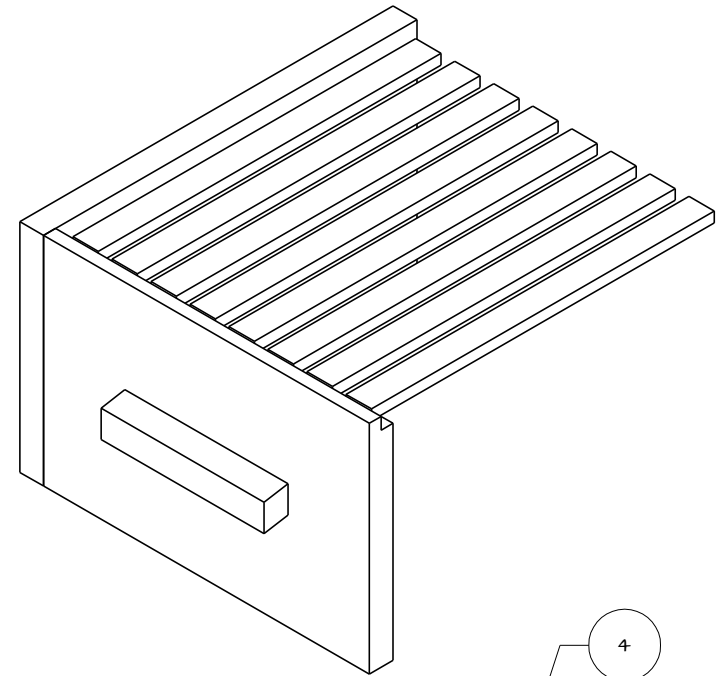
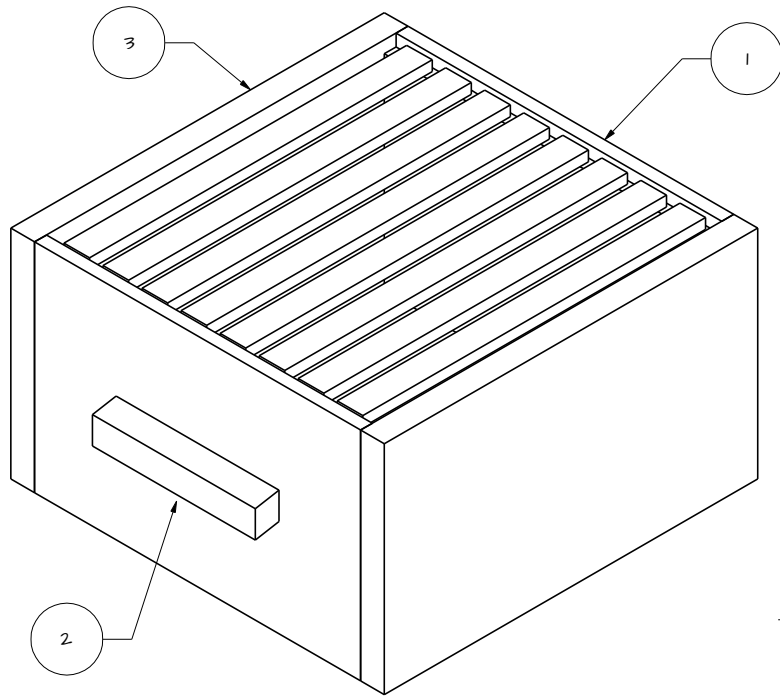
Bottom Board



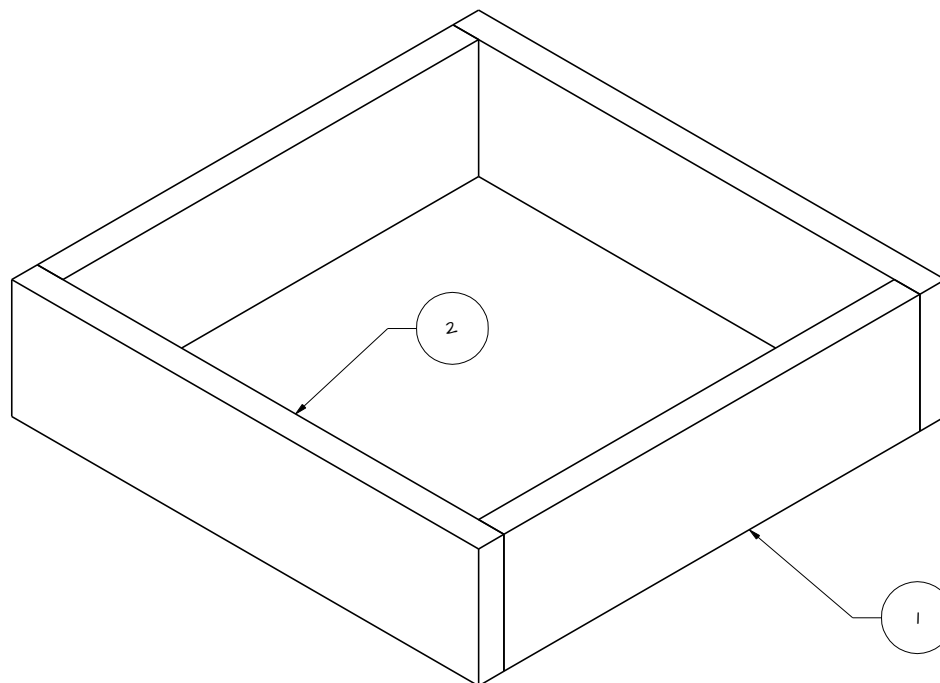
Item	Qty	Part	Dimensions	Comment
1	1	Bottom Board Landing	3/4" x 2-1/8" x 12-1/4"	
2	1	Bottom Board Entrance Back	3/4" x 2-1/4" x 12-1/4"	1/4" x 3/8" removed from corner
3	4	Bottom Board Cross Support	3/4" x 1" x 12-1/4"	
4	2	Bottom Board Side	3/4" x 3" x 13-3/4"	See above for dado cuts
5	1	Bottom Board Floor	1/4" x 12" x 12-7/8"	

Bushkill Warre Hive

Hive Body



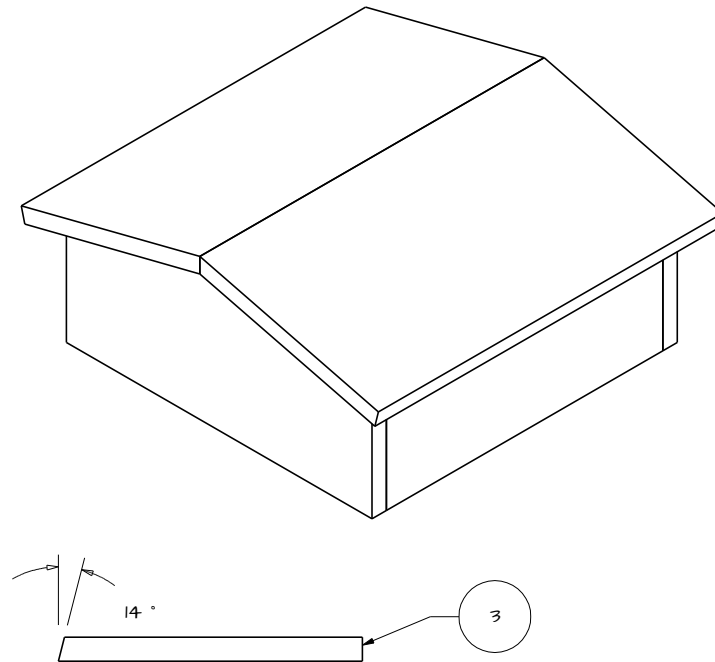
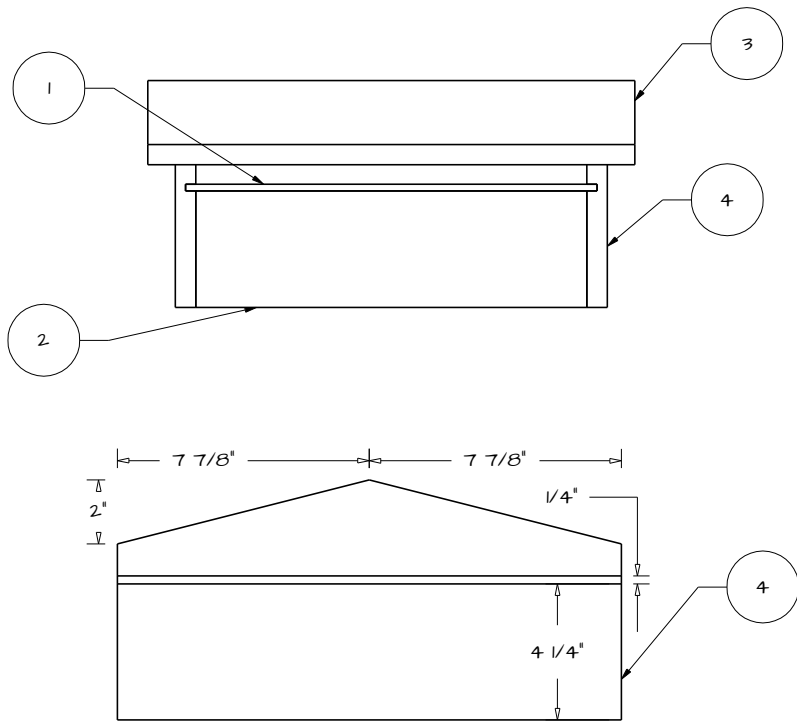
Item	Qty	PartName	Dimensions	Comment
1	2	Hive Body Side	7/8" x 8" x 12"	3/8" x 3/8" rebate for top bars
2	2	Handle	7/8" x 1" x 6"	
3	2	Hive Body Front	7/8" x 8" x 13-3/4"	
4	8	Top Bar	3/8" X 3/4" X 12-5/8"	slot for waxed cotton string guide



Item	Qty	PartName	Dimensions
1	2	Quilt Box Side	3/4" x 3-1/2" x 12-1/4"
2	2	Quilt Box Front	3/4" x 3-1/2" x 13-3/4"

Bushkill Warre Hive

Roof



Item	Qty	PartName	Dimensions
1	1	RoofInnerTop	1/4" x 15" x 15-3/4"
2	2	RoofSide	3/4" x 4-1/4" x 14-1/4"
3	2	RoofTop	3/4" x 9-1/2" x 17-3/4"
4	2	RoofFront	3/4" x 7-1/2" x 15-3/4"

Free Plan Compliments of

