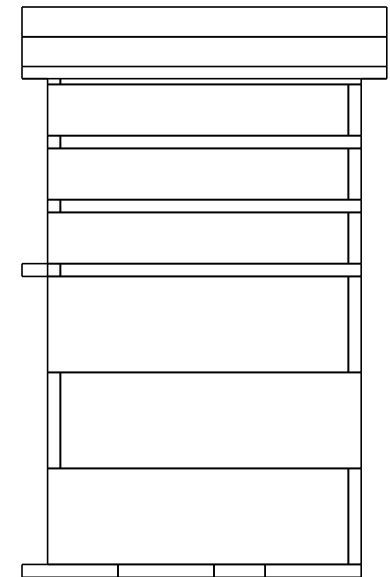
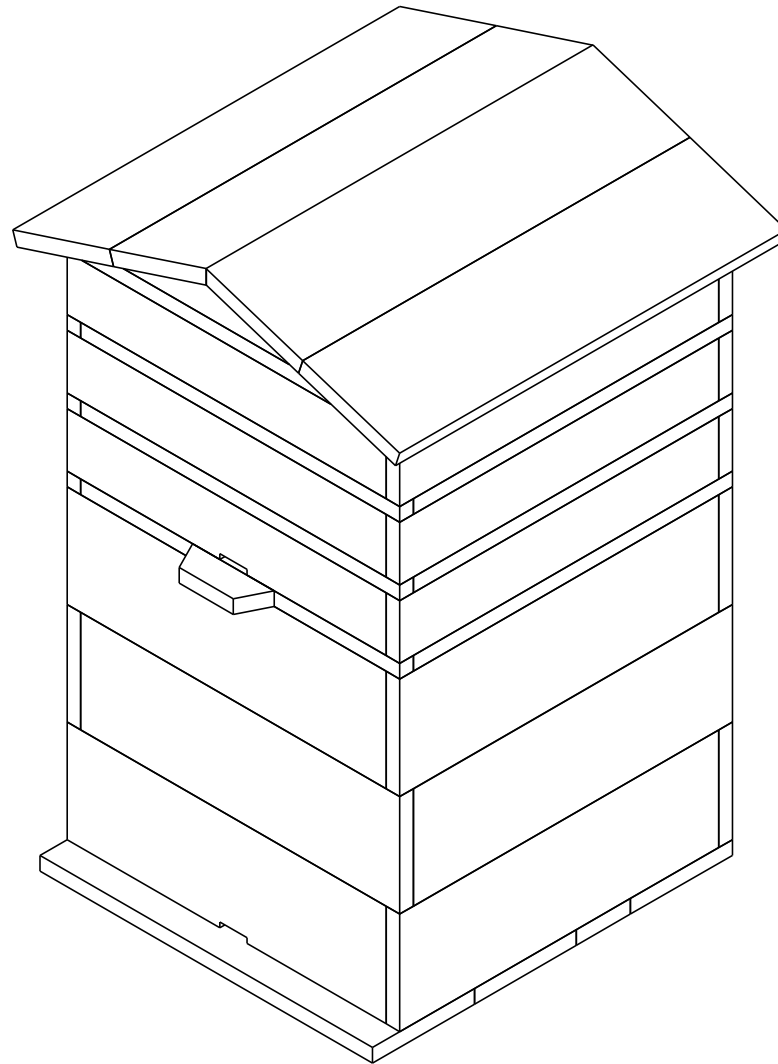
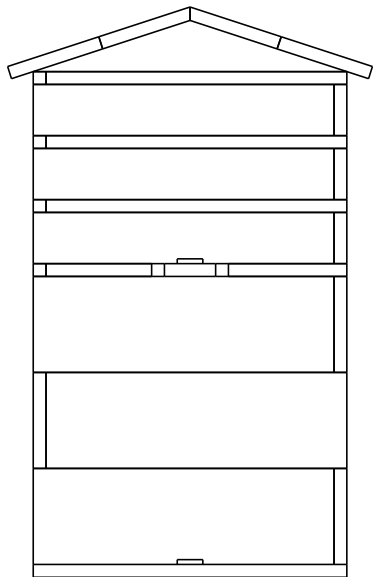


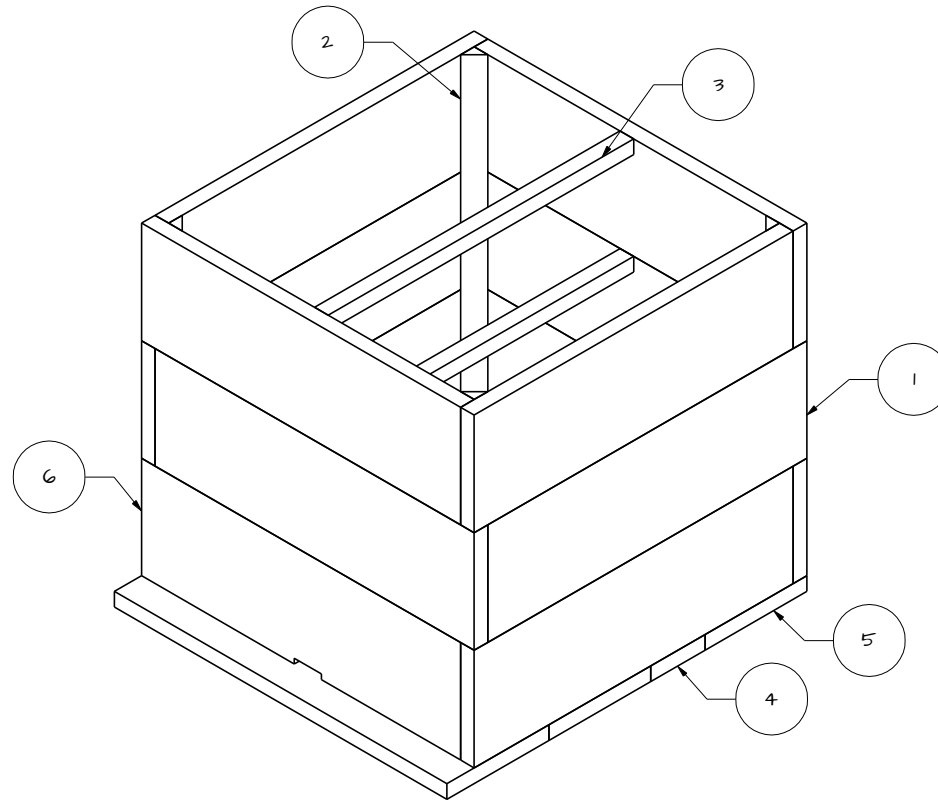
Bushkill Perone Hive

BeeVac.com



Bushkill Perone Hive

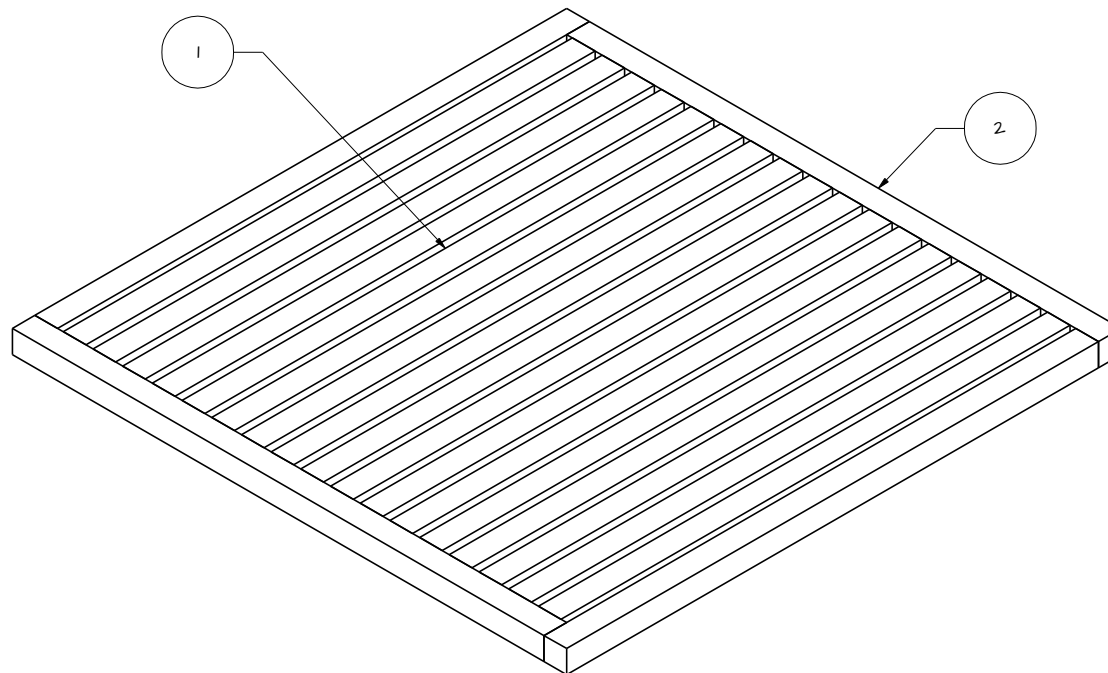
Bee's Part



Item	Qty	PartName	Dimensions	Comment
1	11	Bees_Part_Wall	1" x 7-1/2" x 23-1/2"	
2	4	Bees_Part_Corner	1" x 1" x 22-1/2"	cut on 45 degree
3	3	Grid_Bar	1" x 1" x 22-1/2"	
4	1	Bees_Part_Floor_Small	1" x 4" x 24-1/2"	
5	3	Bees_Part_Floor	1" x 7-1/2" x 24-1/2"	
6	1	Bees_Part_Wall_entrance	1" x 7-1/2" x 23-1/2"	3/8" x 2" entrance

Bushkill Perone Hive

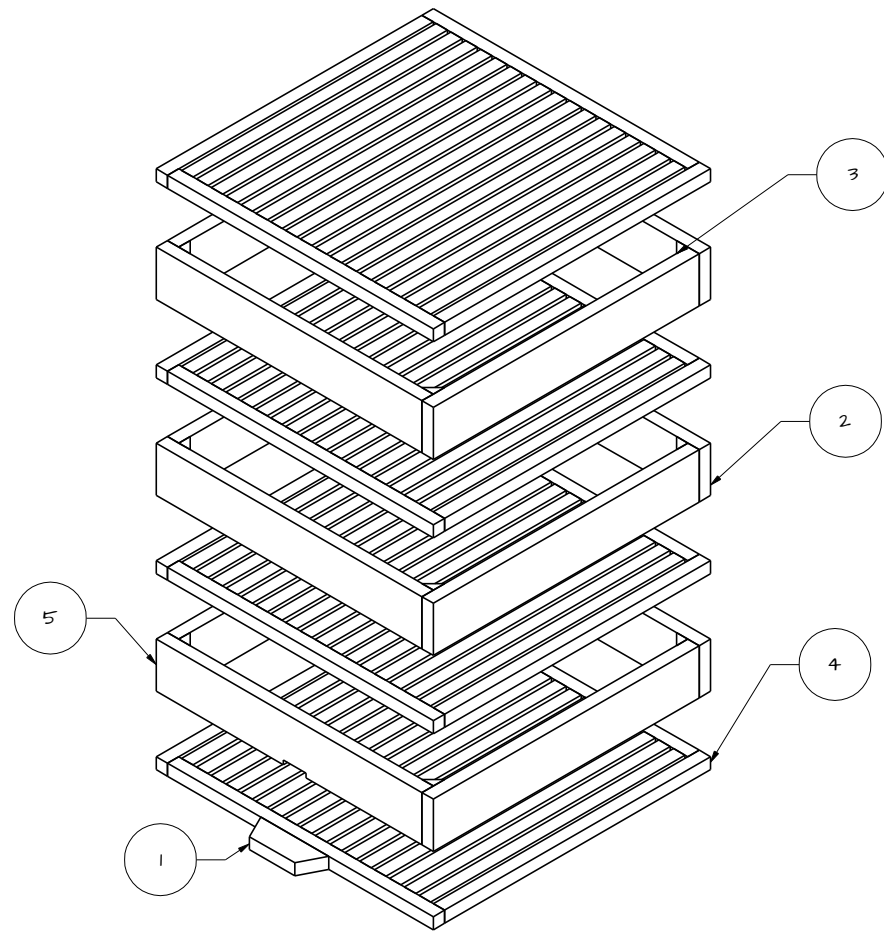
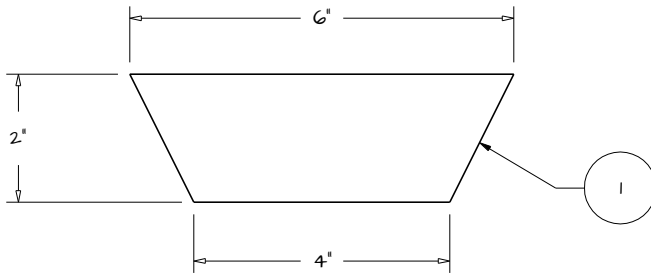
Comb Support Grid



Item	Qty	PartName	Dimensions	Comment
1	17	Grid_Bar	1" x 1" x 22-1/2"	Spaced 5/16" apart
2	4	Grid_Frame	1" x 1" x 23-1/2"	

Bushkill Perone Hive

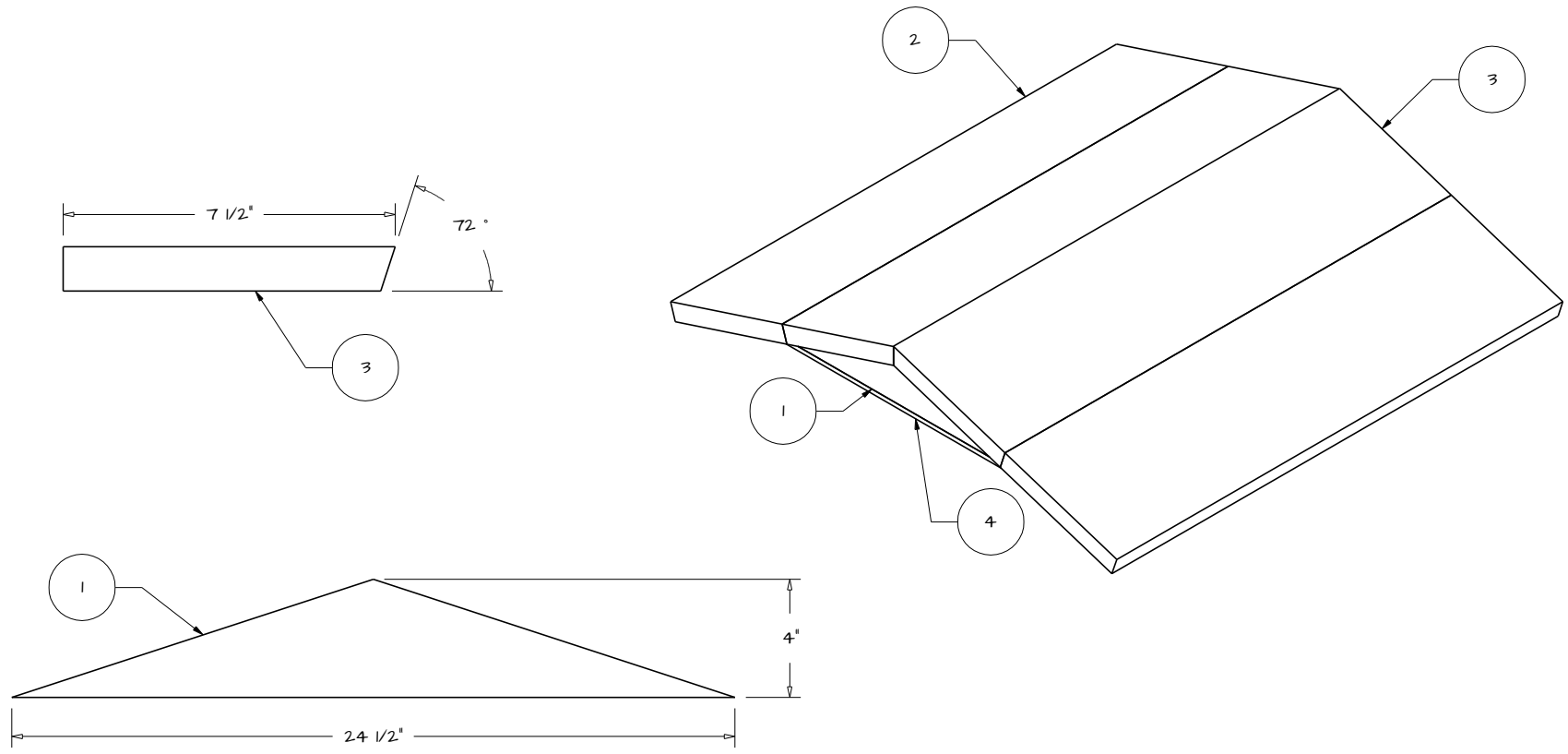
Beekeeper's Part



Item	Qty	PartName	Dimensions	Comment
1	1	Beekeepers_Part_Porch	1" x 2" x 6"	
2	11	Beekeepers_Part_Wall	1" x 4" x 23-1/2"	
3	12	Beekeepers_Part_Corner	1" x 1" x 4"	Cut on 45 degree
4	4	Support_Grid	See previous page	
5	1	Beekeepers_Part_Wall_entrance	1" x 4" x 23-1/2"	3/8" x 2" entrance

Bushkill Perone Hive

Roof



Item	Qty	PartName	Dimensions
1	2	Roof_angle	1" x 4" x 24-1/2"
2	2	Roof_Drip	1" x 7-1/2" x 28-1/2"
3	2	Roof_Peak	1" x 7-1/2" x 28-1/2"
4	1	Roof_bottom	1/4" x 24-1/2" x 24-1/2"

Free Plan Compliments of

