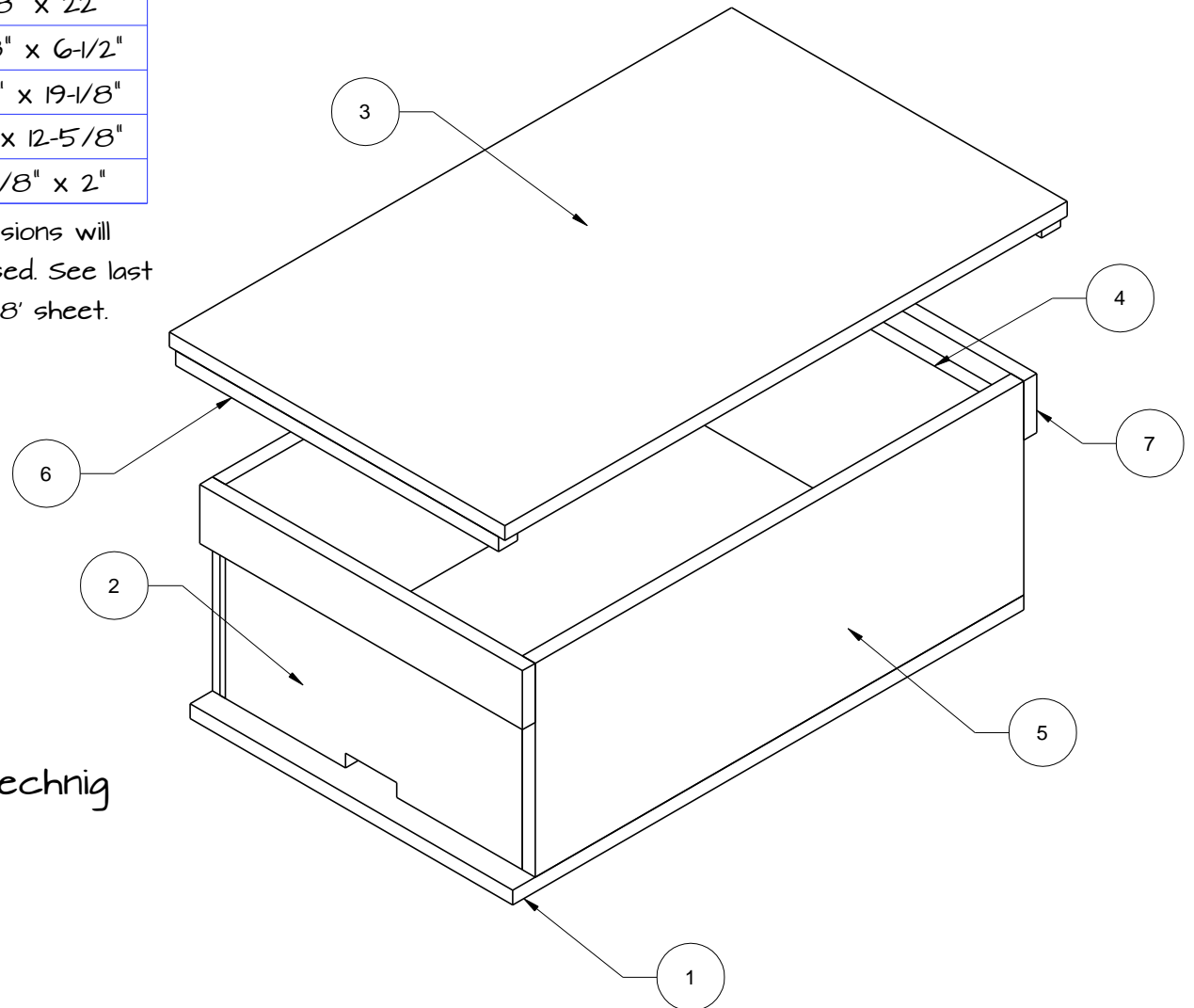


# Coates Nuc

# 8-Frame Medium

Item	Quantity	Part Name	Dimensions
1	1	Bottom	12-5/8" x 20"
2	1	Front	11-5/8" x 6-1/2"
3	1	Top	13-1/8" x 22"
4	1	Back	11-5/8" x 6-1/2"
5	2	Side	7-1/4" x 19-1/8"
6	2	Top Lip	3/4" x 12-5/8"
7	2	End Cap	12-5/8" x 2"

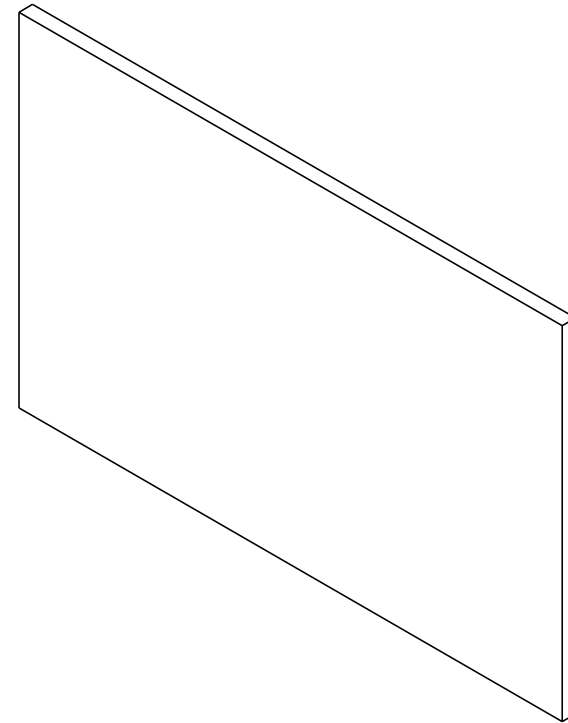
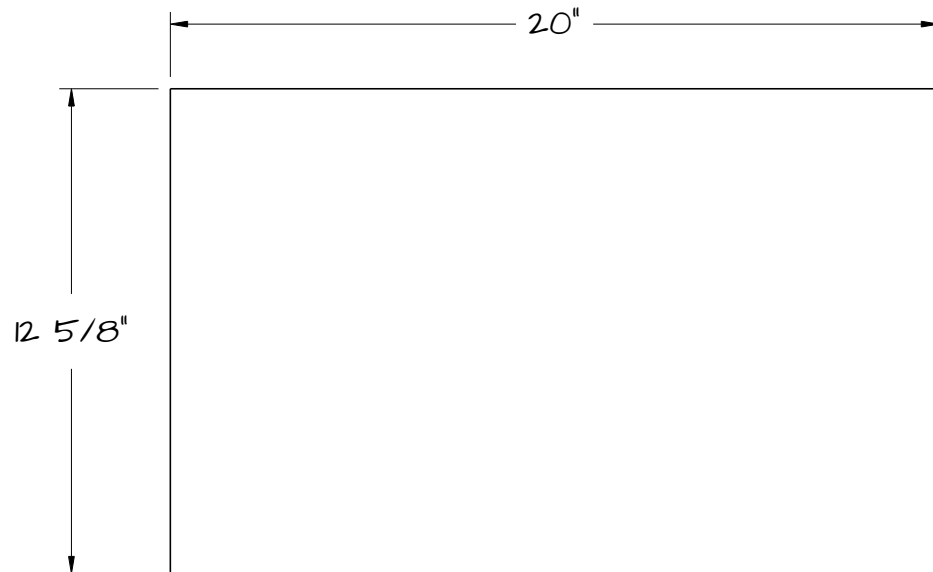
**Note:** Plans are for 1/2 inch plywood. Dimensions will need to be adjusted if other thickness is used. See last page for cut list to get 4 nucs from a 4'x8' sheet.



Original design by Drew Coates  
8-Frame Adaptation by David Moechnig

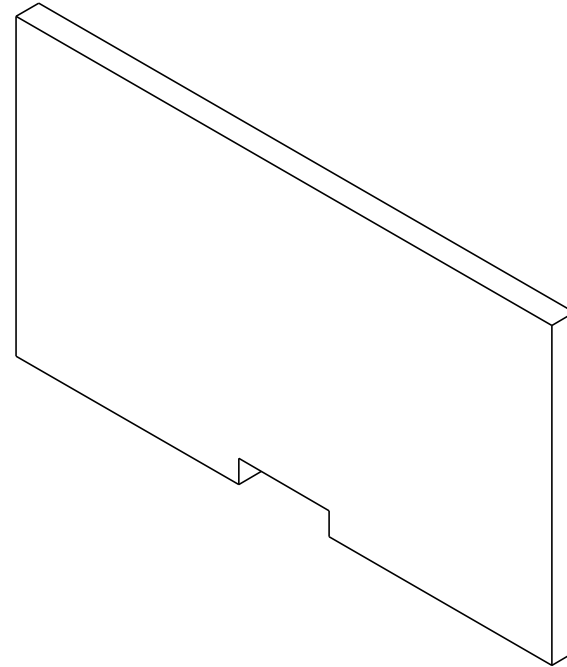
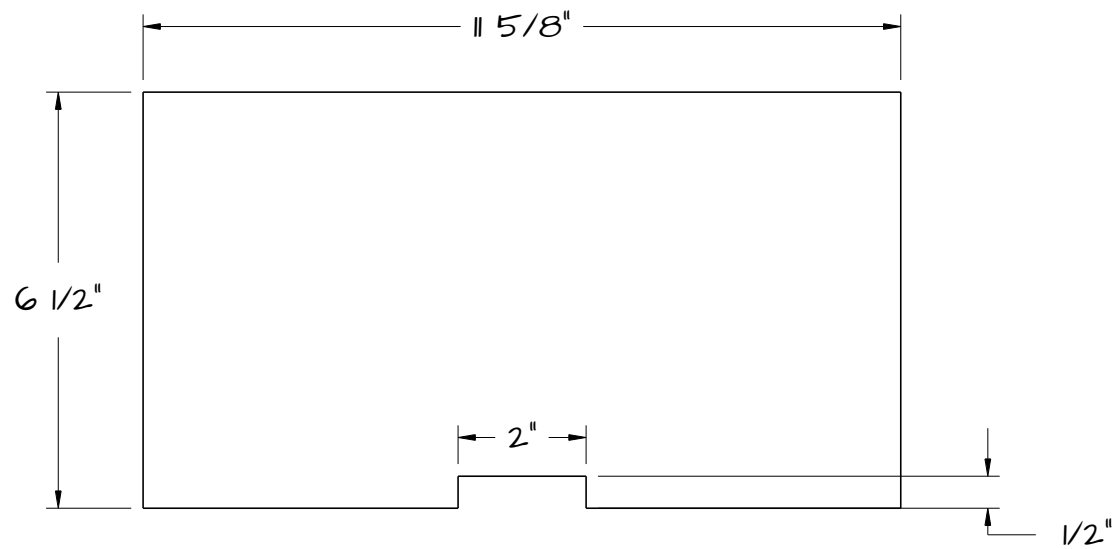
# Bottom

# 8-Frame Medium Nuc



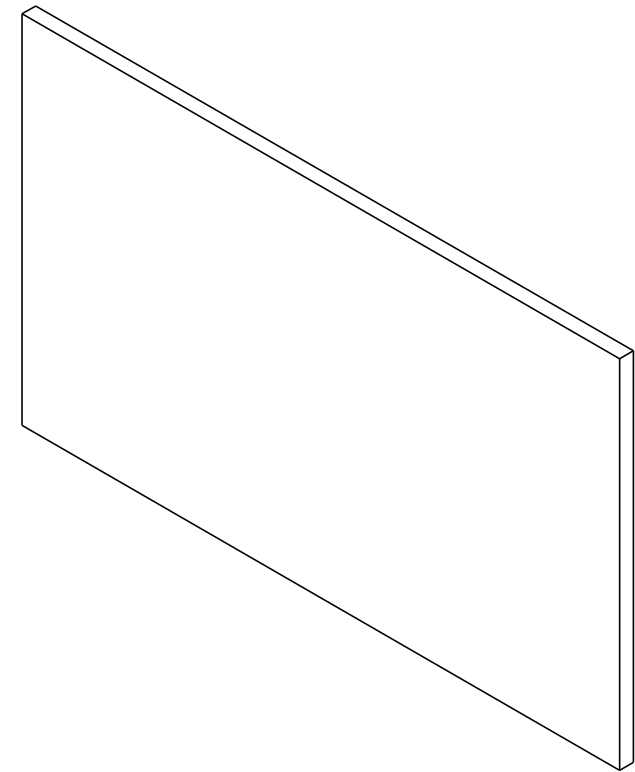
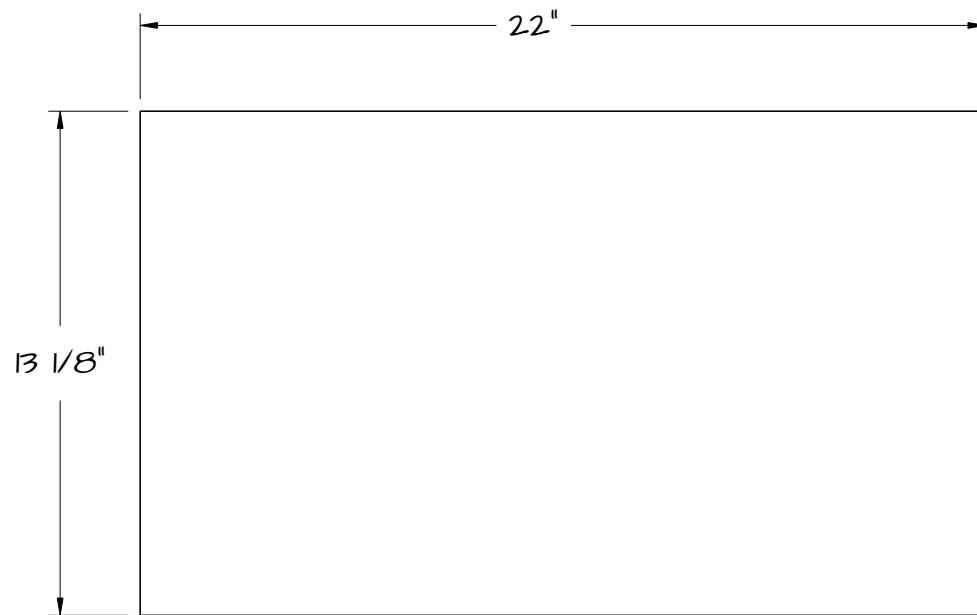
Front

8-Frame Medium Nuc



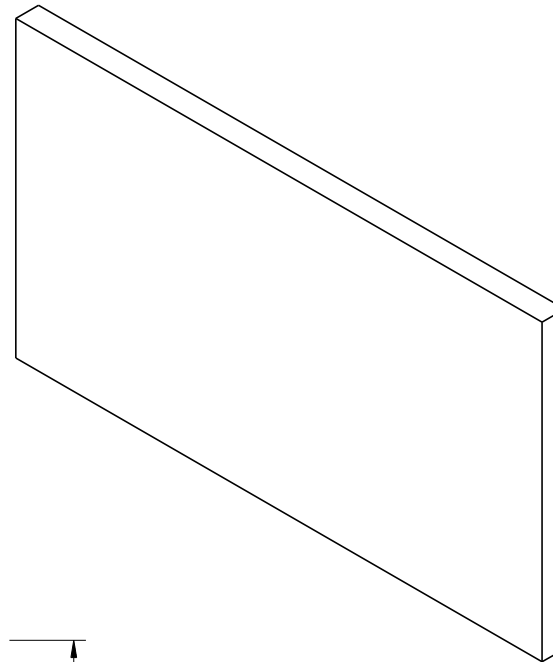
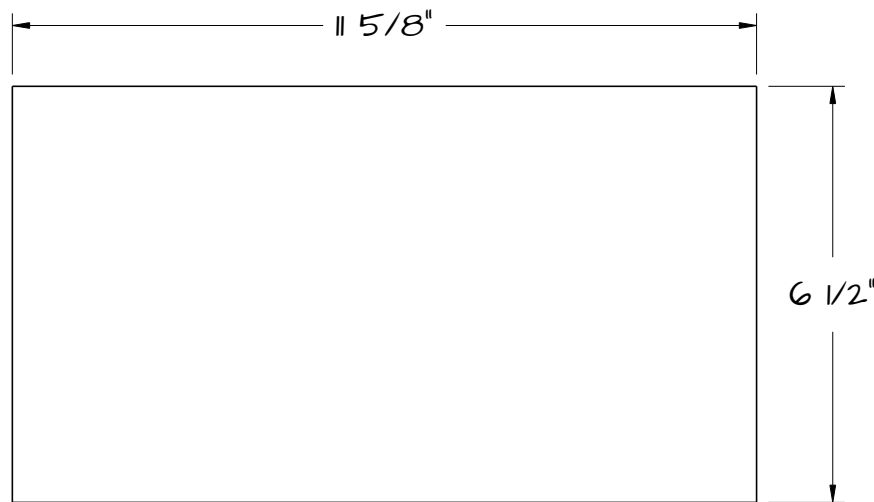
Top

8-Frame Medium Nuc



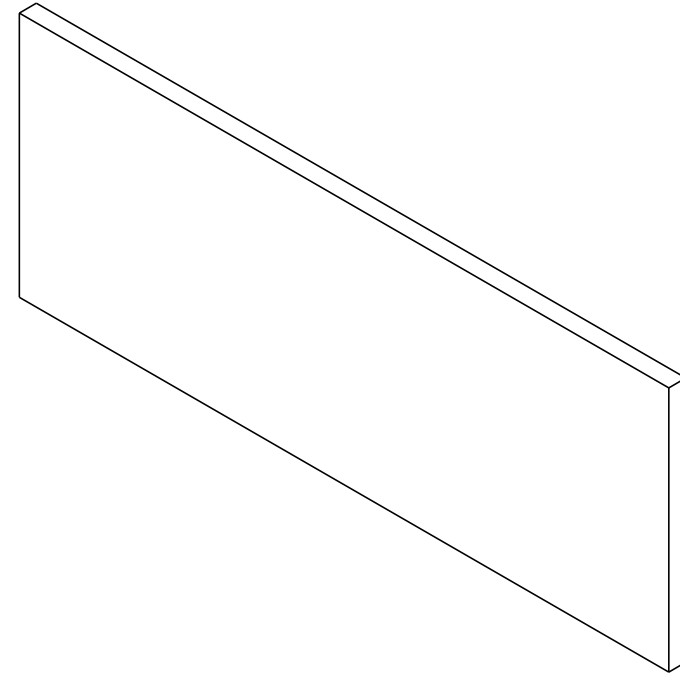
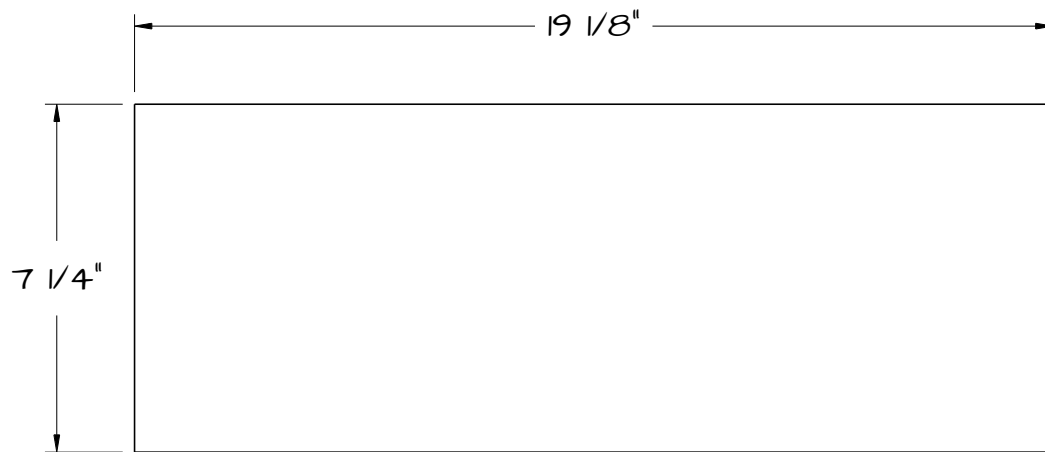
Back

8-Frame Medium Nuc



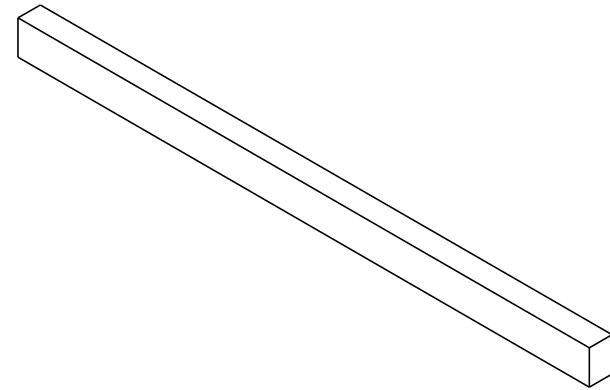
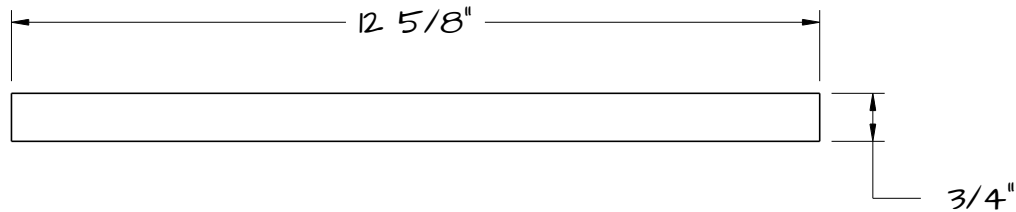
Side (2x)

8-Frame Medium Nuc



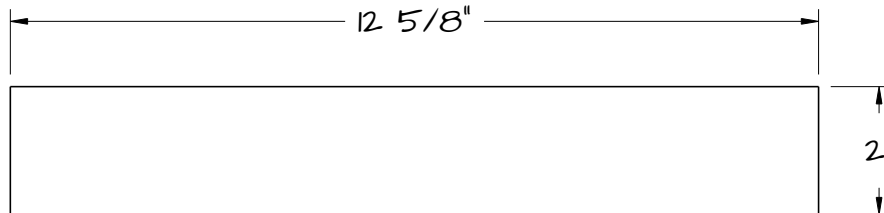
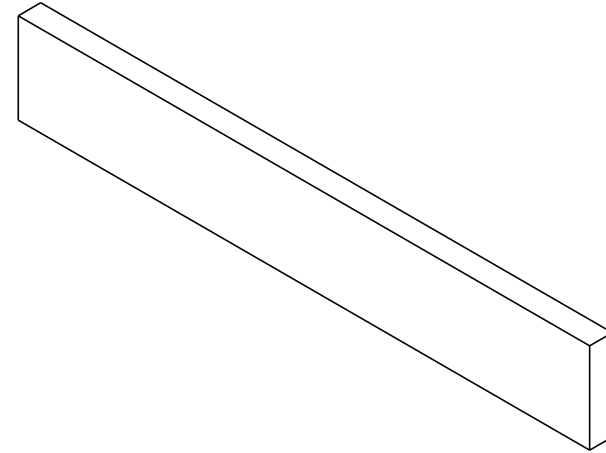
Top Lip (2x)

8-Frame Medium Nuc



End Cap (2x)

8-Frame Medium Nuc





# Cut Layout

## 4 Nucs from 4'x8' Sheet of 1/2" Ply

