

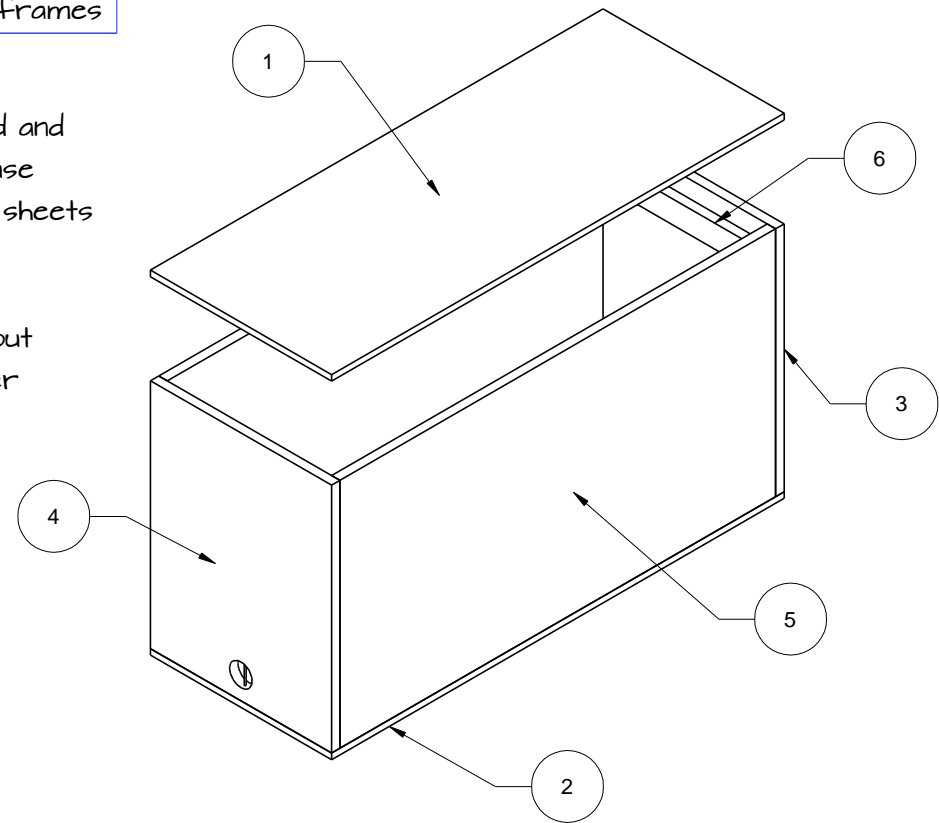
# 20 Litre

# Bushkill Swarm Trap

Item	Qty	Part	Material	Dimensions	Comment
1	1	top	1/4" Luan	8" x 20"	
2	1	bottom	Coroplast	8" x 20"	Corrugated election signs
3	1	back	3/8" Ply	8" x 10-1/4"	
4	1	front	3/8" Ply	8" x 10-1/4"	1" entrance hole w/ nail
5	2	side	3/8" Ply	10-1/4" x 19-1/4"	
6	2	frame rest	3/8" Ply	1" x 7"	Optional if using frames

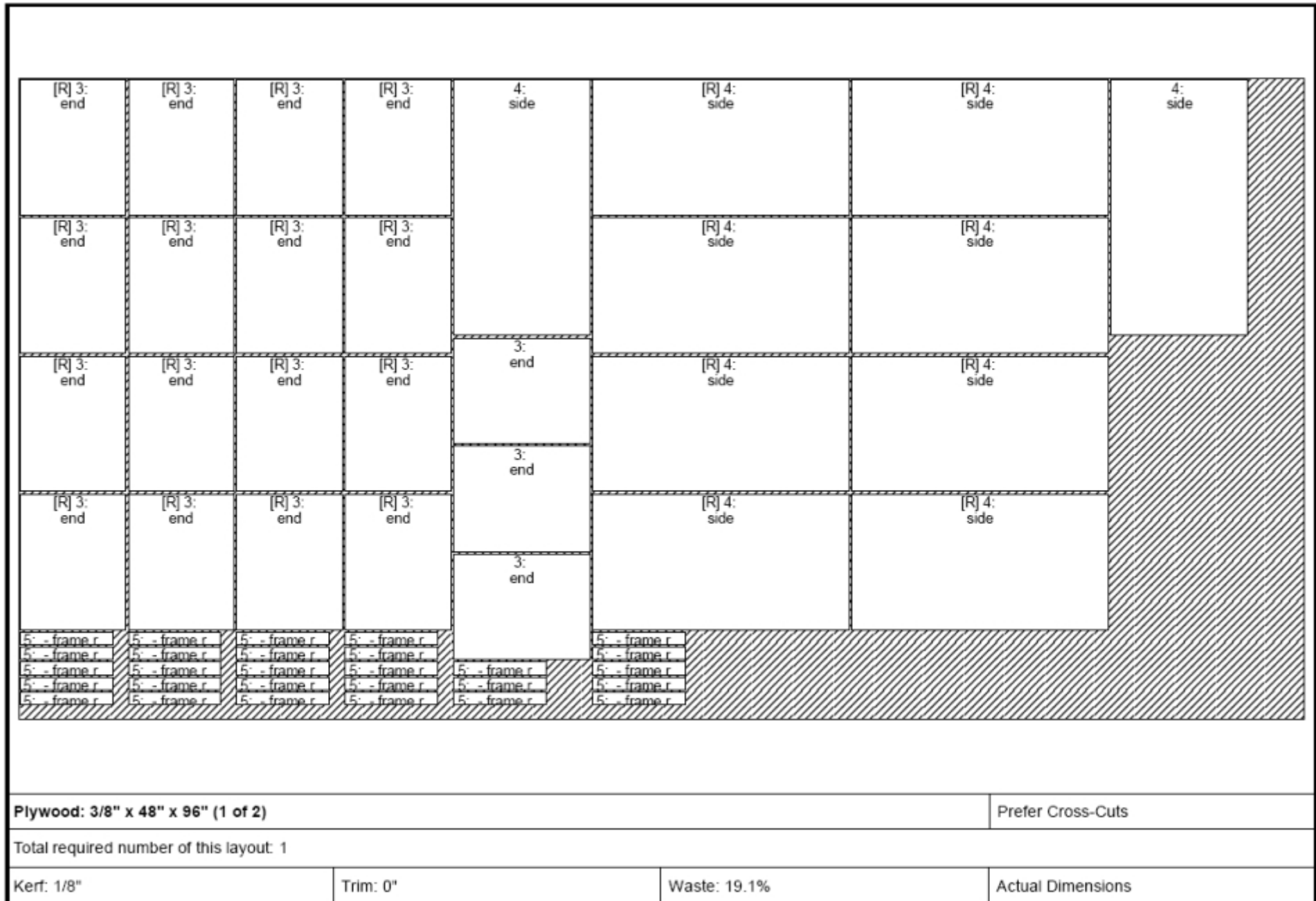
**Note:** 14 swarm traps can be made from 2 sheets of 3/8" plywood and ~1/2 sheet of 1/4" Luan. However, if you don't use frame rest, or use other scrap wood for frame rests, 15 traps can be made from 2 sheets of 3/8" plywood.

Both cut lists are included in the following pages. Cut lists are laid out to maximise cross cuts of the plywood sheets, which makes it easier for folks with small workshops.



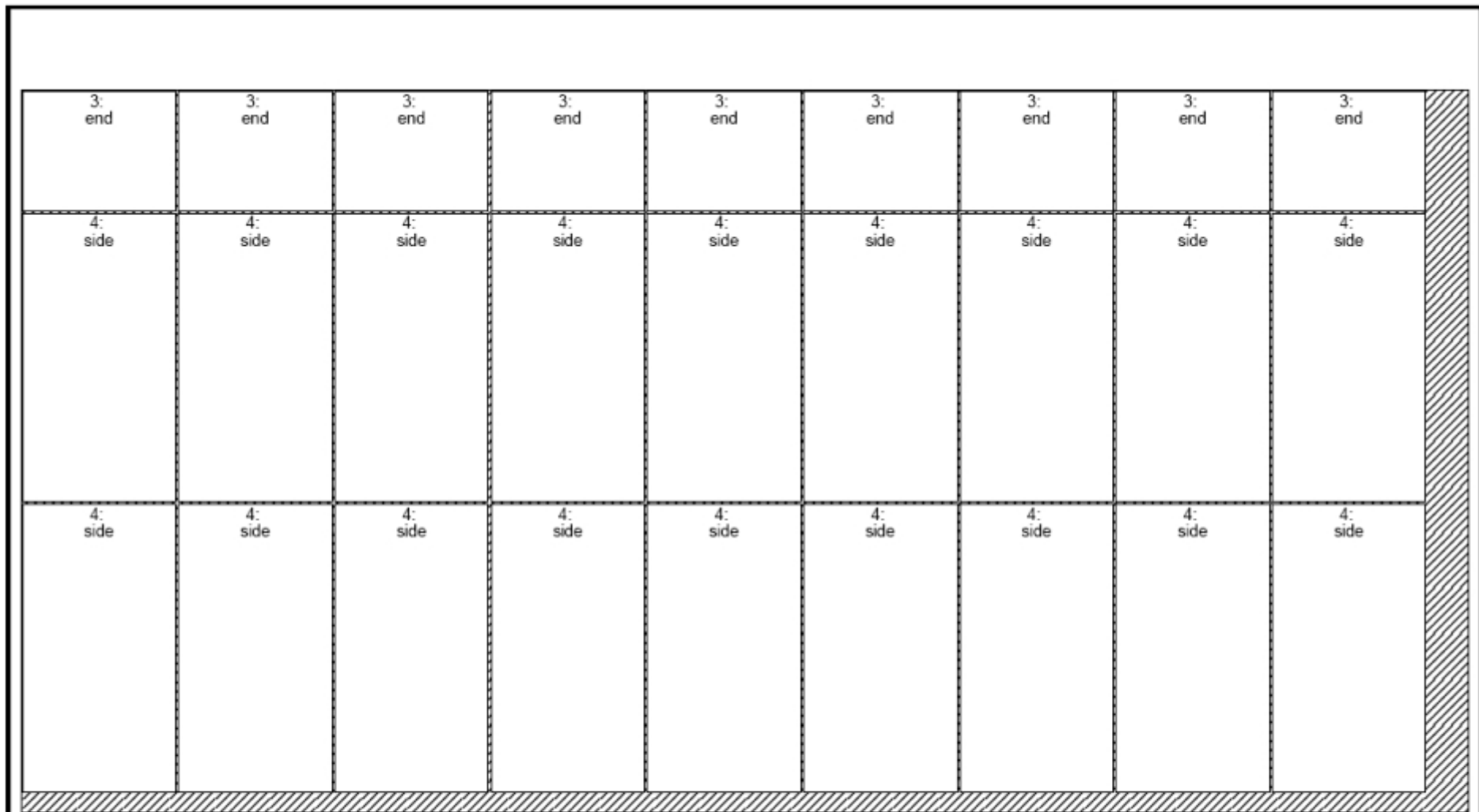
# 3/8" Ply - 14 traps sheet 1

# Bushkill Swarm Trap



# 3/8" Ply - 14 traps sheet 2

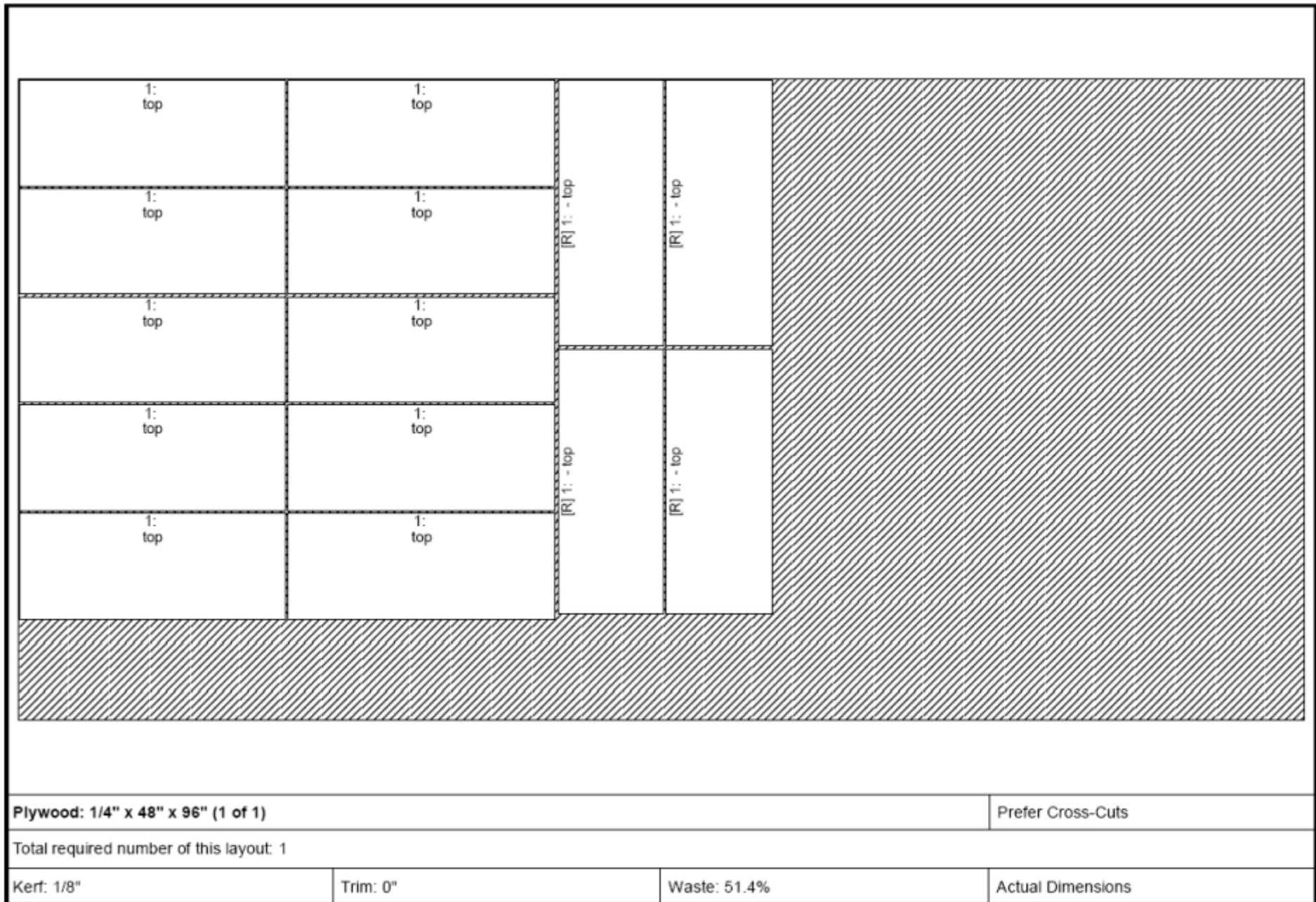
# Bushkill Swarm Trap



Plywood: 3/8" x 48" x 96" (2 of 2)			Prefer Rip-Cuts
Total required number of this layout: 1			
Kerf: 1/8"	Trim: 0"	Waste: 6.9%	Actual Dimensions

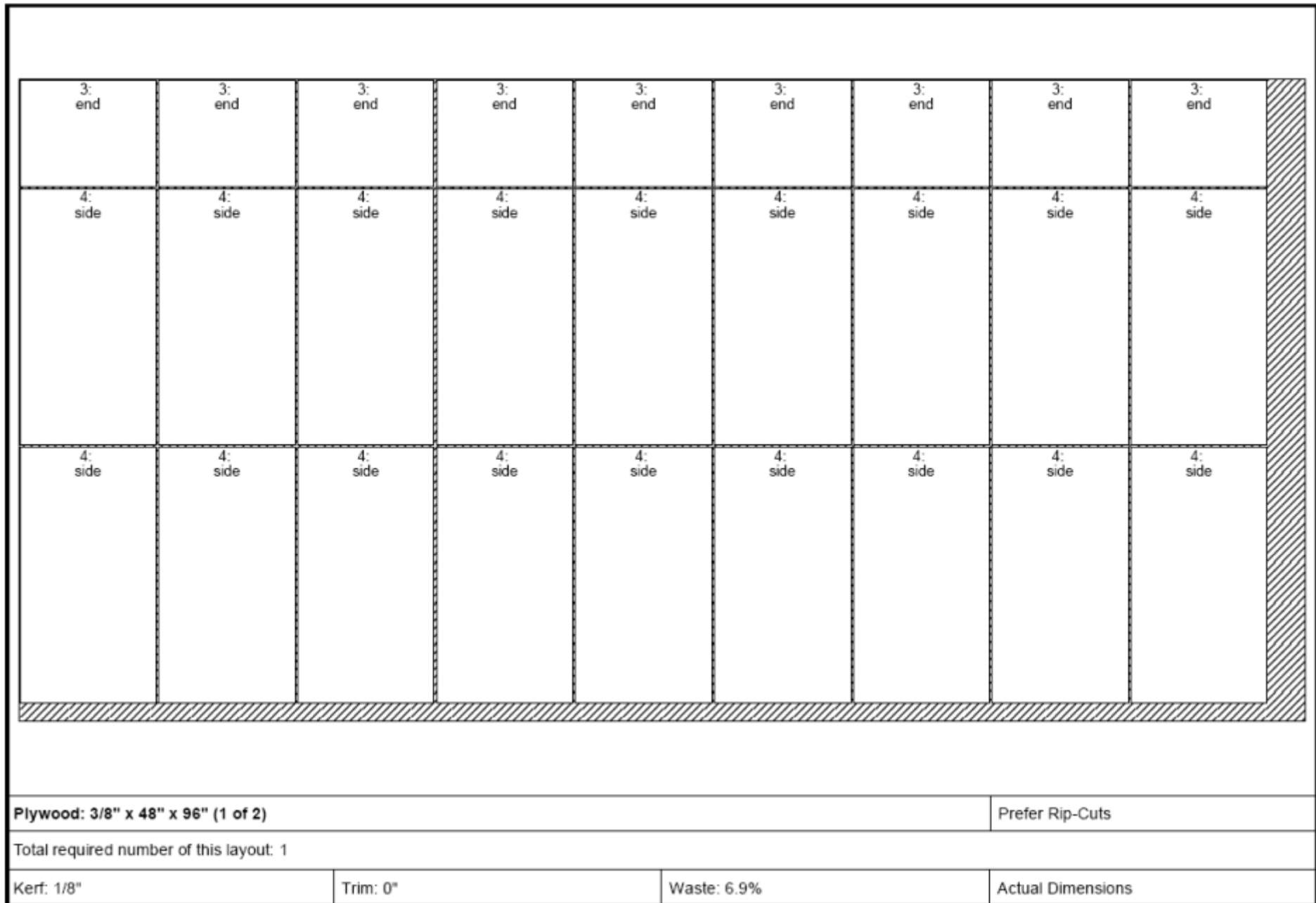
# 1/4" Luan - 14 traps sheet 3

# Bushkill Swarm Trap



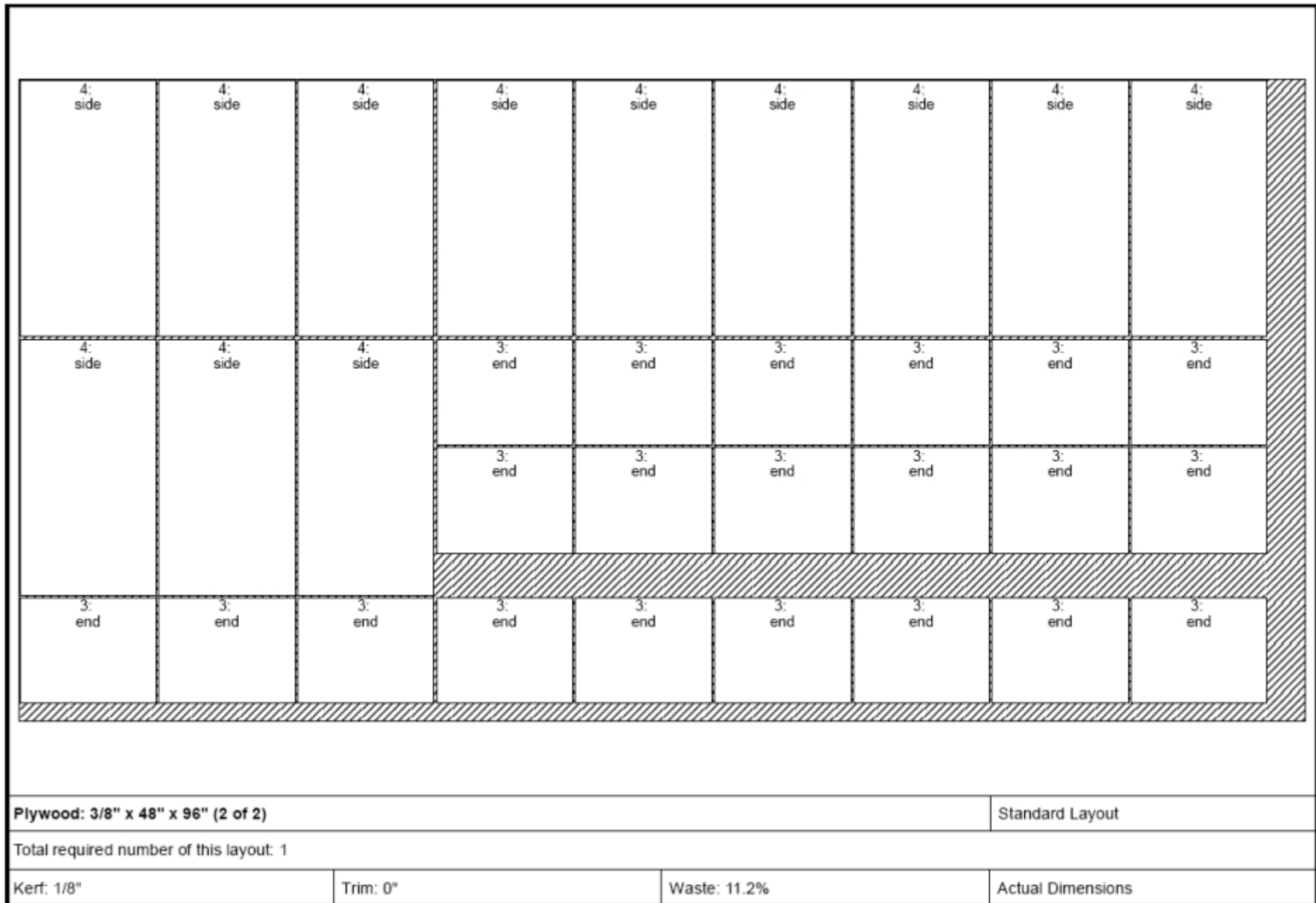
# 3/8" Ply - 15 traps sheet 1

# Bushkill Swarm Trap



# 3/8" Ply - 15 traps sheet 2

# Bushkill Swarm Trap



# 1/4" Luan - 15 traps sheet 3

# Bushkill Swarm Trap

