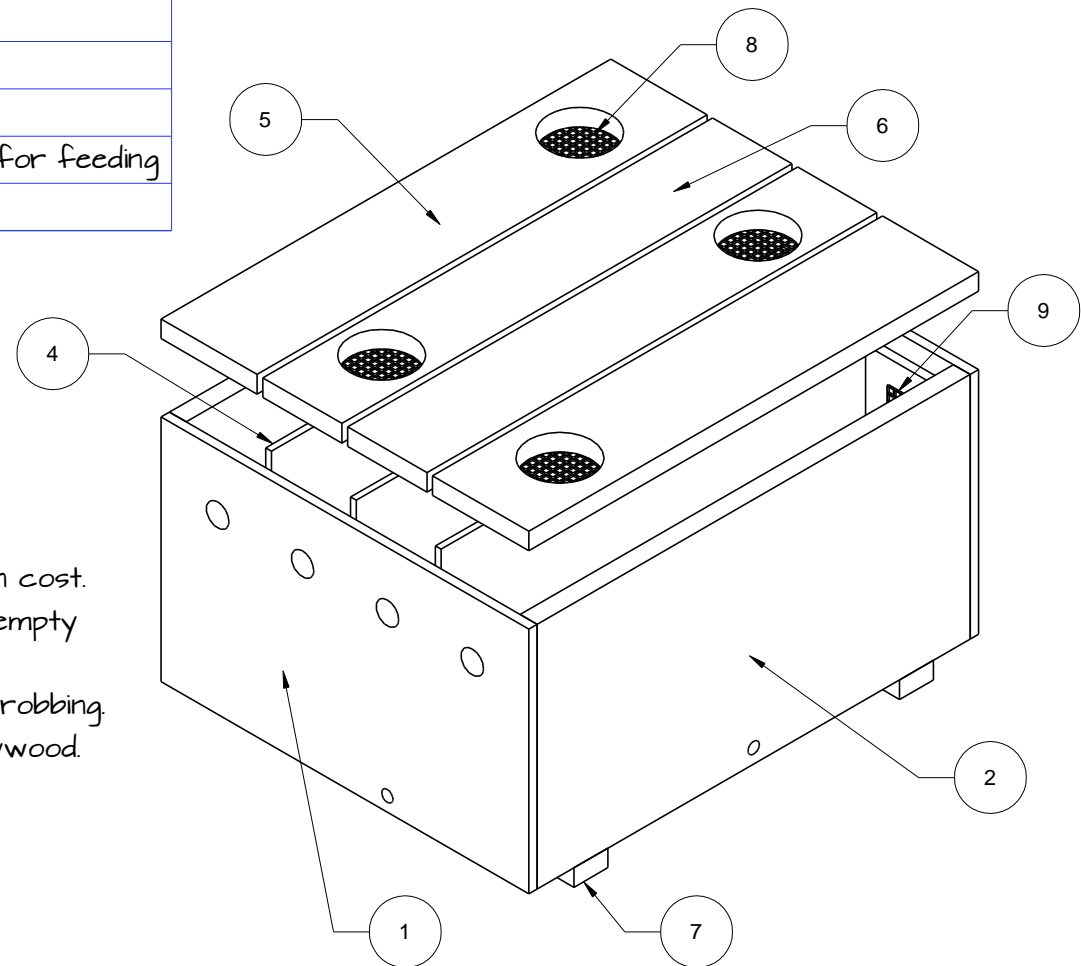


Bushkill 4-way Mating Nuc

Item	Qty	PartName	Material	Dimension	Comment
1	2	Front/Back	3/4" Ply	10-1/8" x 16-1/4"	
2	2	Side	3/4" Ply	10-1/8" x 19-1/8"	
3	1	Bottom	1/4" Luan	15-1/2" x 19-1/8"	Recessed in rabbet
4	3	Divider	1/4" Luan	10-5/8" x 19-1/8"	
5	2	Cover (outer)	3/4" Ply	4-1/4" x 19-7/8"	
6	2	Cover (inner)	3/4" Ply	3-1/2" x 19-7/8"	
7	2	Bottom Rail	1" x 2"	1-1/2" x 16-1/4"	
8	4	Top Screen	#8 cloth	3" x 3"	Optional for feeding
9	8	Vent Screen	#8	1-1/2" x 1-1/2"	

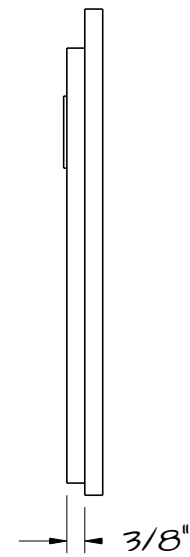
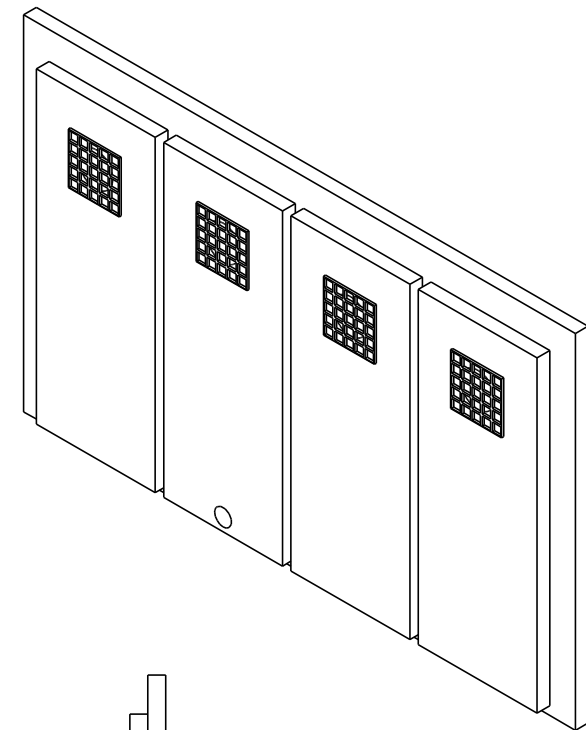
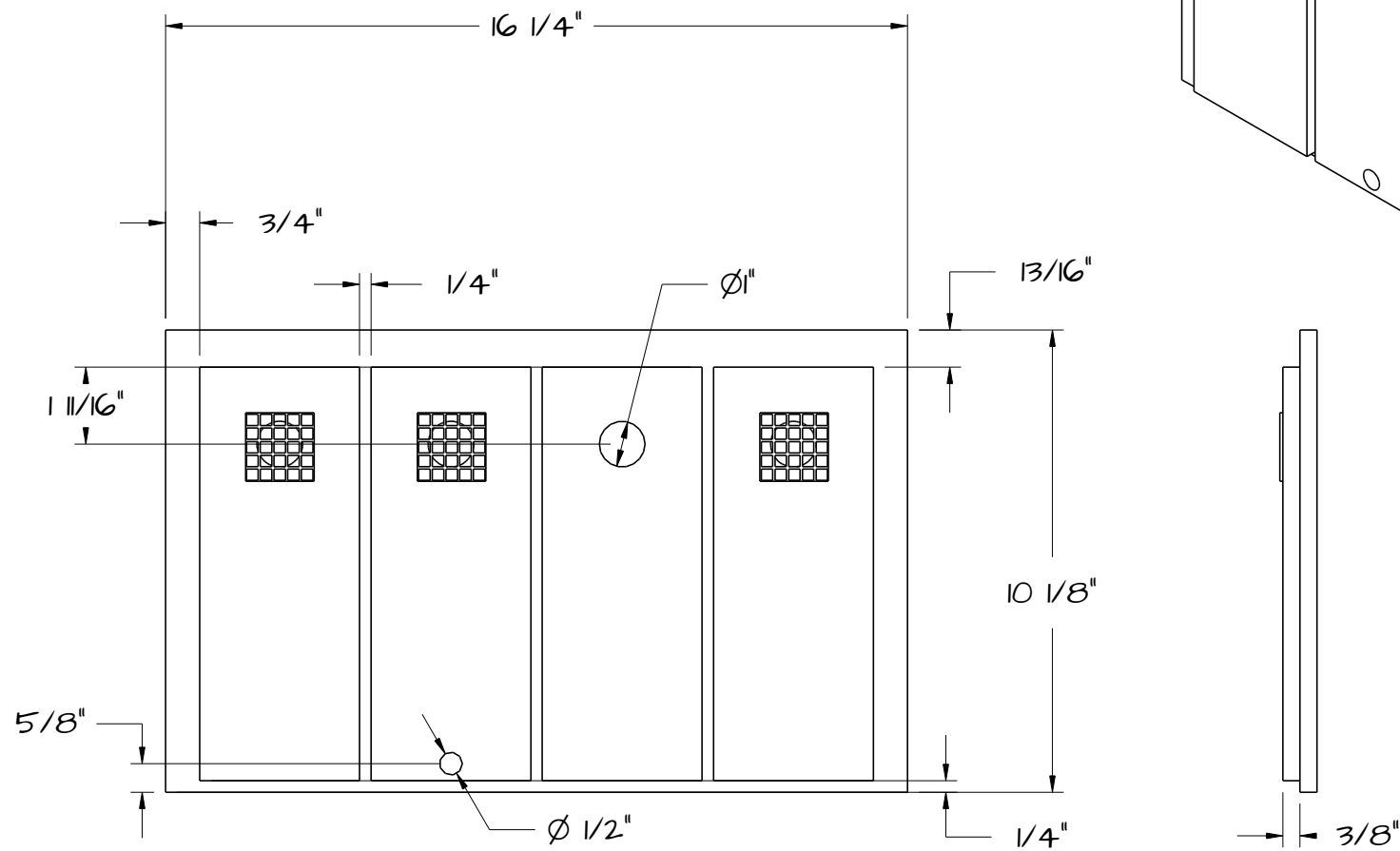
Notes:

1. Regular telescopic cover can be used.
2. Coroplast (election signs) can be used for dividers to save on cost.
3. Screen holes in covers allow for inverted jar feeding. Place empty deep hive body around jars and then cover.
4. Uppers screened vent holes provide good protection against robbing.
5. Four mating nucs can be made from a 4x8 sheet of 3/4" plywood. Layout diagram provided.



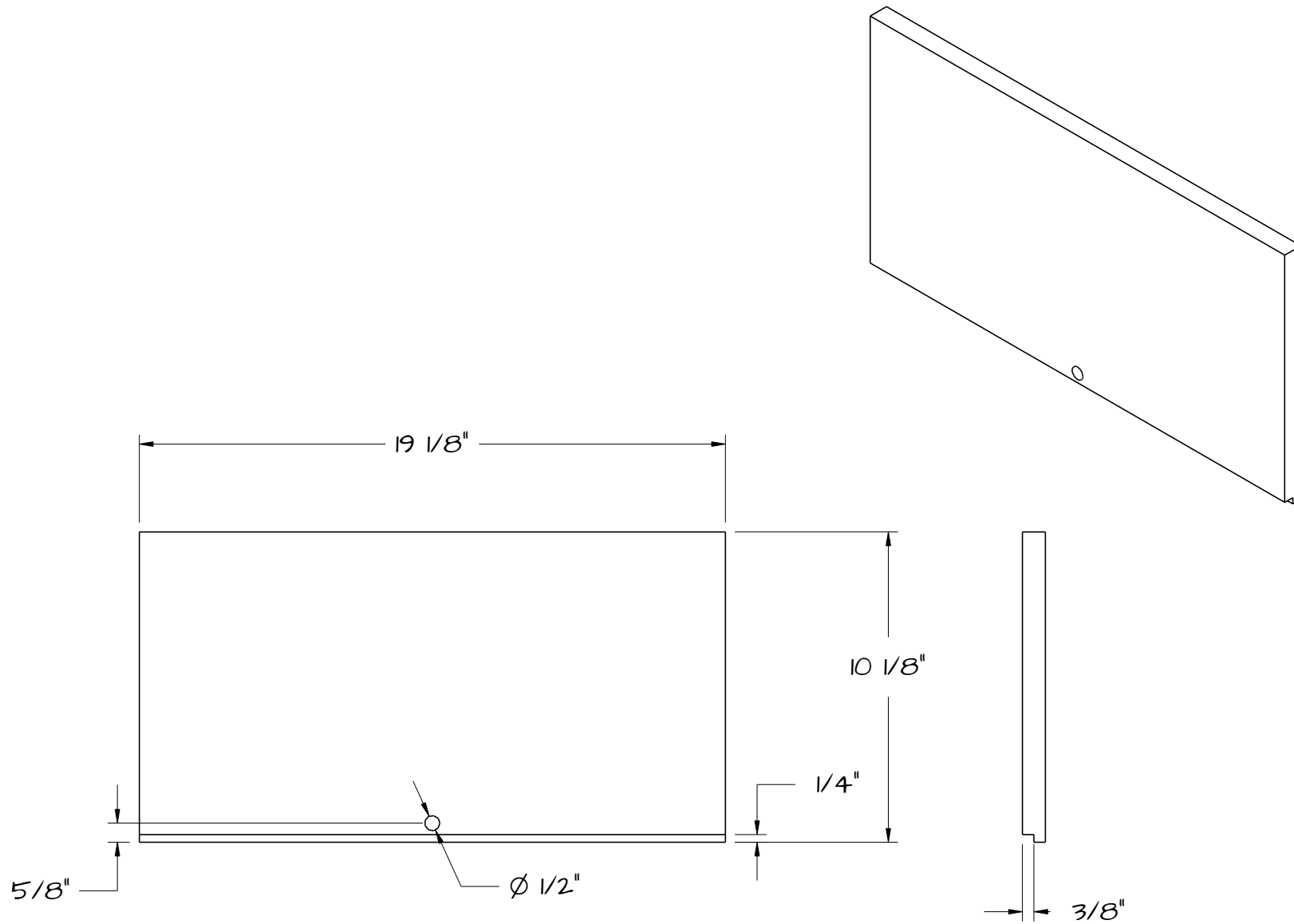
Front/Back (2x)

Bushkill 4-way Mating Nuc

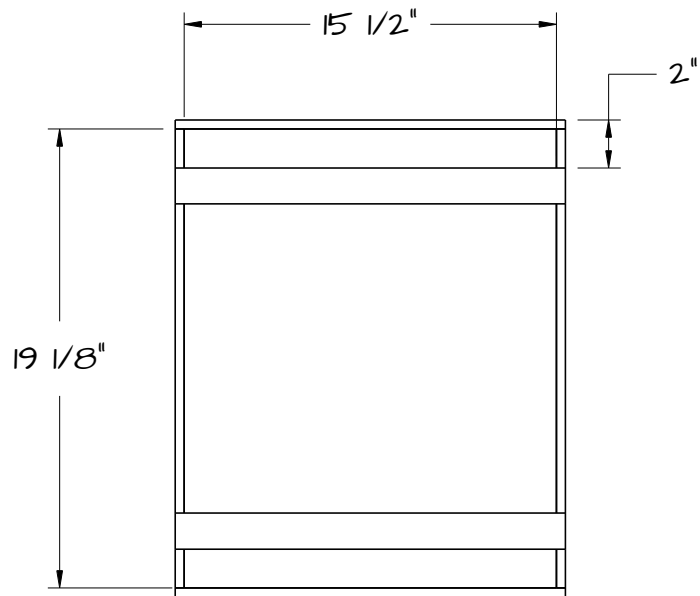


Side (2x)

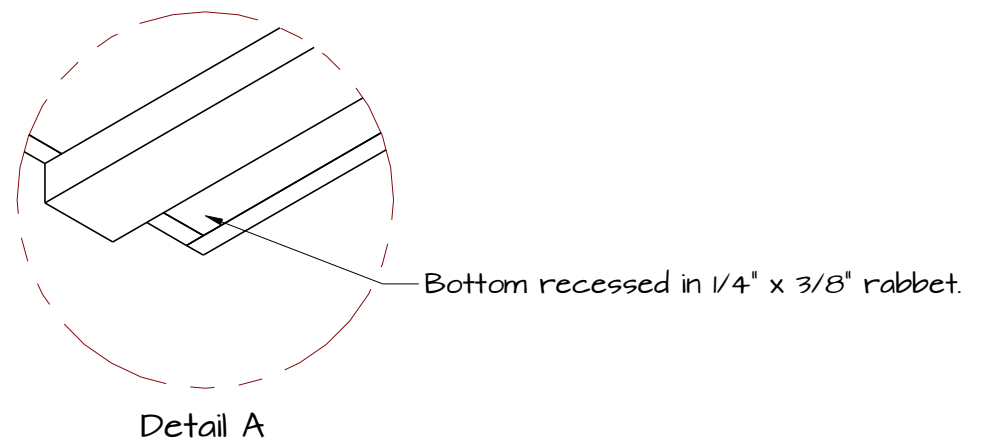
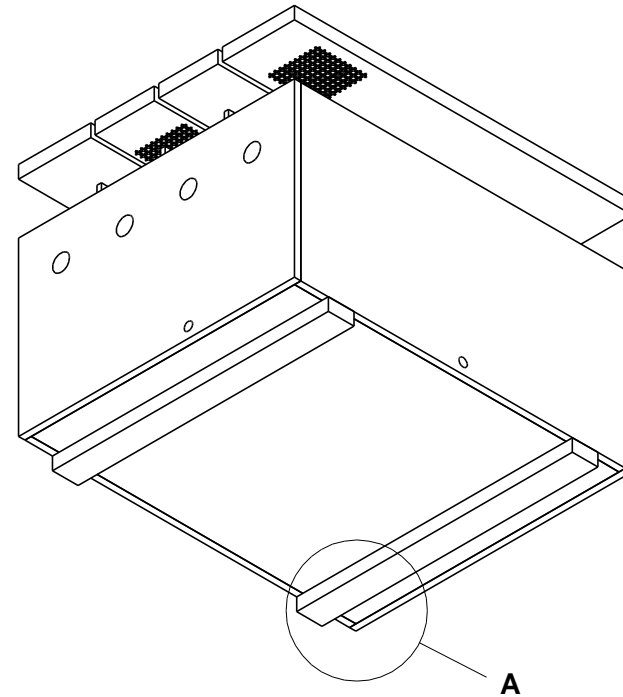
Bushkill 4-way Mating Nuc



Bottom

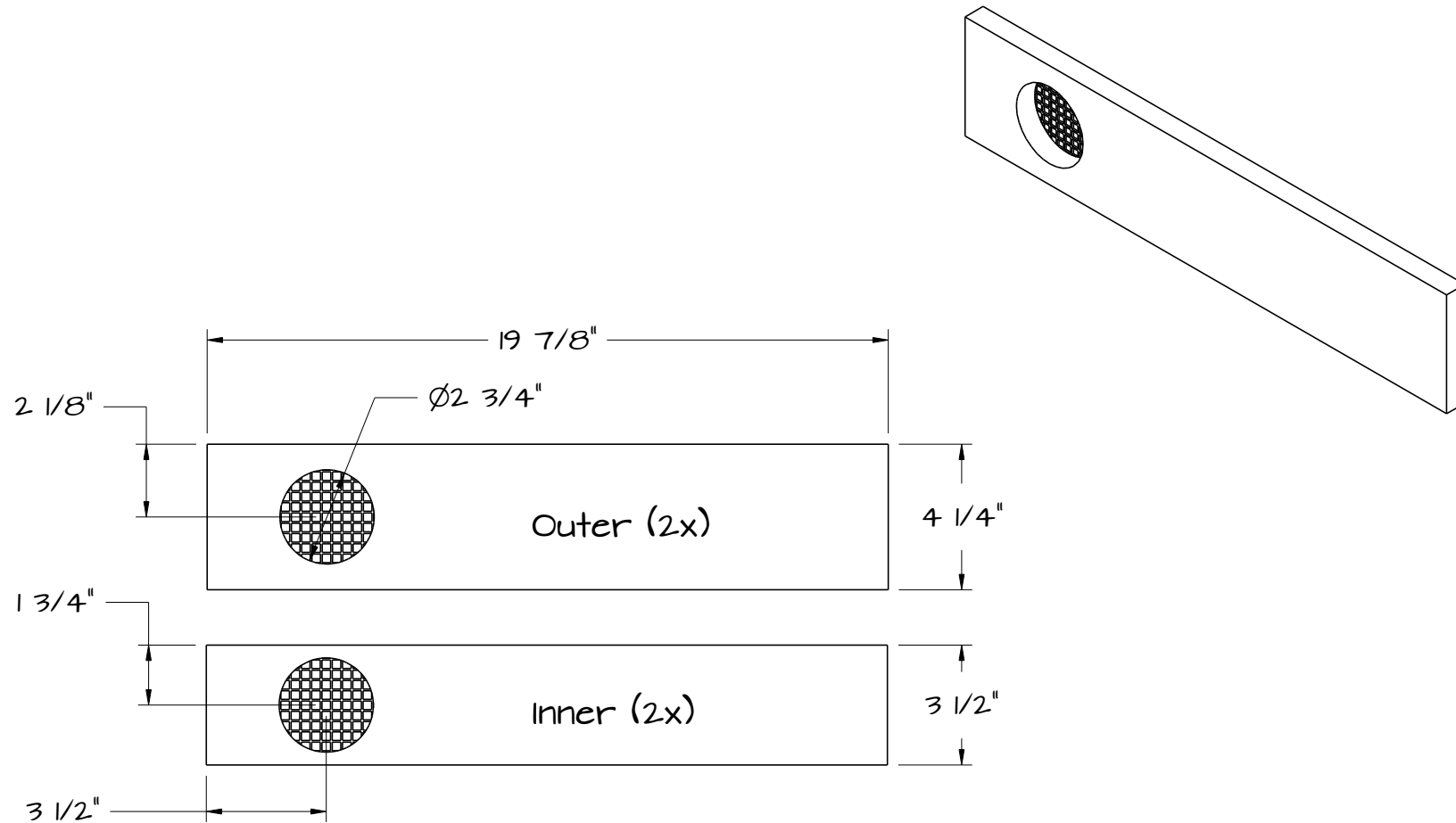


Bushkill 4-way Mating Nuc



Inner Covers

Bushkill 4-way Mating Nuc



Note: 2-3/4" holes are optional. Only needed if you plan to feed with inverted jars.

3/4" Plywood Layout

Bushkill 4-way Mating Nuc

